



# Façade fastenings concrete

## In the future with “Lean Duplex“

### M-SYSTEM concrete



Dear customer, dear business friend, welcome to M-SYSTEM concrete, a division of the Wilhelm Modersohn GmbH & Co. KG.

We would like to introduce our self as a reliable and qualified partner regarding questions about stainless steel. That can be taken seriously because for us, high quality is taken for granted.

The company was founded 1970 by Wilhelm Modersohn sen. Today the company has about 125 employees. Beside the presented product groups we are the right contact for all special-purpose solutions regarding stainless steel.

Telephone +49 5225 87 99-0 • Fax +49 5225 87 99-382

e-mail: info@modersohn.de

www.modersohn.eu

#### Performance profile M-SYSTEM concrete

#### MOSO® supporting anchors for concrete façades

- panel hangers
- clamping anchors

#### MOSO® Concrete façade retaining anchors

- wind anchor restraint
- dowel connection
- pressure screws

#### MOSO® anchor rails

- MBA-CE rails with headed studs
- ES anchor rails for prefabricated parts

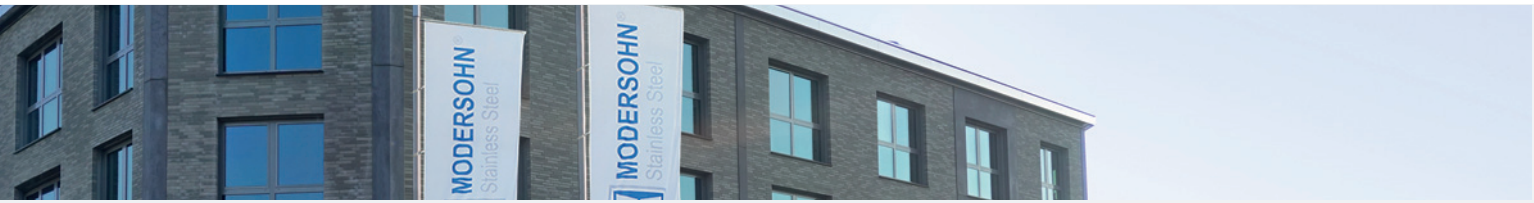
#### Standard components in stainless steel

- metric bolts
- nuts, washers, retaining washer
- threaded bars (up to 3000mm)
- special threaded parts



The advantages of stainless Lean Duplex Steel, e.g. material 1.4362, 1.4062, 14162 compared to 1.4571 (A5) or 1.4404 (A4L), can be reduced to the following:

- more planning reliability: Significantly lower percentage of alloy of nickel and molybdenum; thereby less expensive and a higher price stability
- a two times higher basic strength, even in the welded condition
- a better resistance to corrosion, like chloride-induced stress corrosion cracking and pitting corrosion
- lower thermal expansion with the same thermal conductivity
- better endurance strength
- higher elastic modules, instead of A4 / A5 with 170 kN / mm<sup>2</sup> here with 200 kN / mm<sup>2</sup>
- results in a 18% higher stiffness for profiles



**The company**

**1970:**  
Company founded by Wilhelm Modersohn senior. We started with the MU anchor for attaching prefabricated façade slabs to concrete

**1974:**  
Rental of office and warehouse space

**1979:**  
Rental of an empty factory building

**1984:**  
Own production building on an industrial estate

**Ende der 90er Jahre:**  
Expansion of production facilities, production of stainless steel special and series components for other sectors of industry

**2000:**  
Wilhelm Modersohn junior takes over management. To date, the two company managers have registered more than 100 innovations in the field of fastening technology and other sectors of industry with the Munich Patent Office. Patent protection has also been granted for numerous applications

**2008 / 2009:**  
New administrative building for the Sales Service Centre and Work Scheduling. Production expansion: 2,500 sqm shipping hall

**2010 - 2013:**  
Expansion of glass bead blasting systems with 3 blasting rooms; extension of the production, warehouse and staff rooms; number of welder positions increased to 20

**2014:**  
Dipl.-Ing. Jürgen Matzelle is appointed second managing director. Alongside his work as a structural engineer, he is also a welding engineer.

**2015:**  
Expansion of the administrative building on Industriestraße.

**2016:**  
Move to our extended office building

**2017-2018:**  
Purchase of the Aldi building in the neighborhood, for small parts storage. Expansion of our prematerial stock. Use of a 10 kW fiber laser.

**2019:**  
New construction of a surface treatment hall. Further investment in machinery.

**Product examples**

**Panel hanger FB-H**

The MOSO® panel hanger is an officially approved system. It consists of an upper part, a middle part and a mounting part.

There are several models of the upper part available depending on the structural situation.

The standard- and twin-version as well as the "Attic Standard" and "Attic Twin" for the fastening on in-situ concrete.

The mounting part FB-HE was developed for slender precast concrete parts. With a low load range and a simultaneously large concrete core, MOSO® CE anchor rails are an affordable alternative to the mounting part FB-HE.



**Product information**

- Load range: 6.0 - 70.0 kN
- Material: approved stainless steel
- Certificate: national technical approval



**MOSO® CE anchor rail MBA-CE**

Officially approved in Europe, anchor rail MBA-CE is used to mount installation parts in in-situ concrete or as a mounting part in the precast panel. The MBA-CE anchor rail offers a horizontal or a vertical adjustment option depending on the mounting situation. MOSO® hammer-head/hook-head bolts MHK are used as fasteners.

**Product information**

- Profile sizes: 28/15, 38/17, 40/25, 50/31 and 52/34
- Material: approved stainless steel
- Certificate: European technical approval

**Anchor FB-E**

The MOSO® precast fixing FB-E is an anchor for parapet elements.

In order to achieve a uniform distribution of load, each concrete element is braced with at least two anchors. When using more than two anchors, the design with adjusting screw must be used.

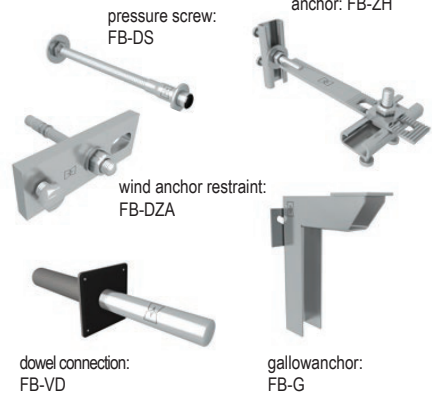
The clamping anchor is fastened to the in-situ concrete with an officially approved dowel or a MOSO® CE anchor rail.



**Product information**

- Type: 1 - 8
- Cavity: up to 200 mm (> on request)
- Material: approved stainless steel
- Certification: structural analysis

**Other products**



UPDATE: Calculation software MOSOCONstructor for panel hanger, clamping anchor and anchor rail

Free software-download:  
[www.modersohn.eu/service/software](http://www.modersohn.eu/service/software)